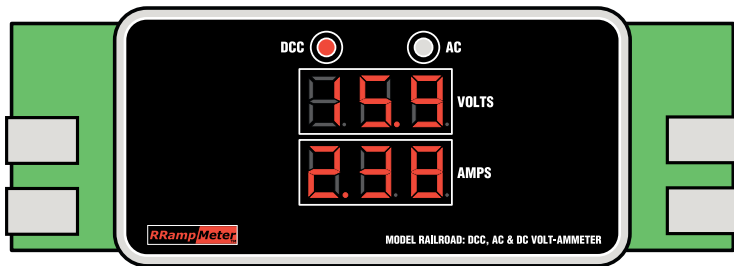




# PRODUCT CATALOG

## RRampMeter

MEASURES DCC, AC AND DC VOLTS AND AMPS



The RRampMeter designed for model railroaders by Tony's does what no other meter can do. Accurately measures DCC, AC and DC volts & amps!

- Rated at 10 Amps, costs less than DVMs that cannot measure DCC, measures true RMS Volts/Amps, +/- 2%.
- Suitable for all scales and most applications.
- Adjust. contacts permit direct track voltage measurements.
- Test or Clip Leads can also be used for other applications.
- Layout Wiring easily connects to the rear screw terminals.
- Use as a portable troubleshooting tool or as a panel meter.
- **Unconditionally guaranteed for 2 full years!**

**Version I** Circuit Module without enclosure, \$54.95.

**Version II** Circuit Module with enclosure and Clip Leads, \$79.95.

**Version III** with battery assist for low voltages, \$89.95.

**Version IV** HP (high power 20A for O and G gauges), \$104.95.

## CMX Clean Machine

THE BEST RAIL CLEANING SYSTEM (HO, N, O, G, S Scales)  
Unconditionally Guaranteed!

- Precision Machined Parts.
- Solid Brass Construction.
- Body Mount Kadee Couplers.
- Leak Proof Valve And Fill Port.
- Easy Fill & Spill Resistant.
- Heavy Weight Does The Job.
- Quick Change Pads.
- Both Solvent/Abrasive Options.
- Large Reservoir Reduces Refills.
- Multi-Directional (Push Or Pull).
- Controllable Dispensing Rate.
- Rated #1 by Users.



"I've been in model railroading for most of my 56 years & cleaning track has always been a pain in the @\$\$. Last week I purchased one of your CMX Clean Machines, I've tried most of the others. No question about that product. It really works very well!"

"One of the better investments that I have made on my layout, very impressed with its performance."

<b>CMX HO Pads</b>	Pads for CMX HO, 20-pack	\$6.00
<b>CMX Skid Pad Assembly Kit HO</b>		\$34.95
<b>CMX N Pads</b>	Pads for CMX N, 20-pack	\$6.00
<b>CMX O Pads</b>	Pads for CMX O, 20-pack	\$15.00

<b>CMX HO</b>	Clean Machine for HO scale	\$124.95
<b>CMX N</b>	Clean Machine for N scale	\$124.95
<b>CMX O</b>	Clean Machine for O scale	\$259.95
<b>CMX G</b>	Clean Machine for G scale	\$259.95
<b>CMX S</b>	Clean Machine for S scale	\$189.95

## PowerShieldX

DCC CIRCUIT BREAKERS / REVERSERS / INTELLIGENT RESTART\*

Use these ultra fast acting circuit breakers/auto-reversers to create power districts or auto reverse blocks. If a track short occurs in one district the breaker will trip before Booster/Power Station shuts down. This eliminates the need for additional boosters to create districts. PSX-AR works as a breaker and an auto reverser for a reverse block.

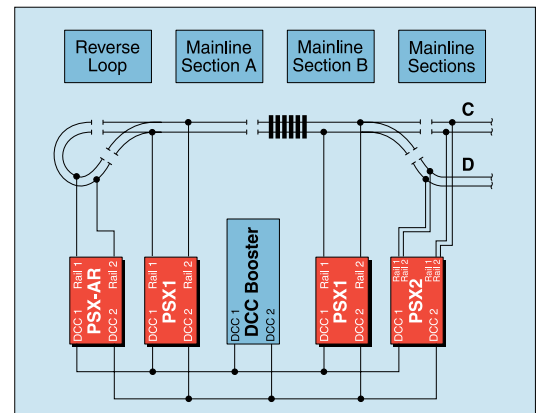
### Compare PowerShieldX features to the competition!

- 20 Amp, All Scales
- Automatic Manual Reset
- Works With Reverse Blocks
- On/Off/Rev Status Lights
- Easy Install Design
- Multiple Outputs
- Overvoltage Protection
- Easy Program Jumpers
- Rated #1 By Users!
- Restarts Broadway Locos\*
- All Solid State, No Relays
- No Pwr Supply Needed

**Unconditionally guaranteed for 2 years!**

<b>PSX1</b>	DCC Circuit Breaker, One input/One output	\$35.95	<b>PSX4</b>	DCC Circuit Breaker, One or Two in's/Four out's	\$123.80
<b>PSX2</b>	DCC Circuit Breaker, One input/Two outputs	\$63.90	<b>PSX-AR</b>	DCC Circuit Breaker/Reverser	\$49.95
<b>PSX3</b>	DCC Circuit Breaker, One input/Three outputs	\$94.35			

\*The evolution of high starting current DCC devices such as Broadway Ltd locos and Soundtraxx decoders, has outpaced the capability of DCC systems to restart multiple units due to a track short. PowerShields regulate high restart currents to allow a restart.



## Tony's Guarantees Your Satisfaction

Sales • Support • Club Demos • Installations • Loco Work • 20 Years of Experience

Pieces or sale items are subject to change without notice. We are currently working on a significant pricing revisions. Updated catalog will be available in about 2 weeks.

# Digitrax



# Digitrax

## Decoders

Prd #	Scl	A	FN	Comments (all 128ss)	LIST	TTE@1	TTE@4
DZ123MO	Z/N/HO	1.5	6	PnP for Micro Trains Z scale GP35 & GP9.	34.99	29.95	28.95
DZ125	Z/N/HO	1	2	Spd stab, transp, supersonic, SoundBug comp.	24.99	20.95	20.45
DZ125IN	Z/N/HO	1	2	As above with 6 pin NEM 651 plug.	26.99	22.95	21.95
DZ125PS	Z/N/HO	1	2	As above with 8 pin plug.	26.99	22.95	21.95
DZ143	Z/N/HO	1.2	4	Spd stabilized, silent, special fx.	34.95	29.95	28.95
DZ143PS	Z/N/HO	1.2	4	Same as abv w/2" NMRA plug.	37.95	31.95	30.95
DN135D	N/HO	1	3	Tiny Super Economical Motor & Function Decoder	18.95	16.11	15.54
DN135PS	N/HO	1	3	Same as DN135D with 8 pin DCC socket	21.95	18.66	18.00
DN143IP	N	1.5	4	PnP, Integrated 8 pin Medium Plug.	29.99	25.49	24.59
DN143K2	N	1	3	Same features as DZ123	44.95	37.95	36.86
DN163	N	1.5	6	Wired decoder.	34.99	29.95	28.69
DN163PS	N	1.5	6	With 8 pin medium plug.	37.99	32.95	31.15
DN163A0	N	1.5	6	PnP for Atlas GP40-2, U25B.	34.99	29.95	28.69
DN163A1	N	1.5	6	PnP for Atlas SD50/60/60M.	34.99	29.95	28.69
DN163A2	N	1.5	6	PnP for Atlas GP30 & other post-2006 models.	34.99	29.95	28.69
DN163A3	N	1.5	6	PnP for Atlas MP15-DC.	34.99	29.95	28.69
DN163I0	N	1.5	6	PnP for Intermountain SD40T-2.	34.99	29.95	28.69
DN163I1A/B	N	1.5	6	PnP for Intermountain FT-A/B	34.99	29.95	28.69
DN163I1C	N	1.5	6	PnP for Intermountain F3AB & F7AB	34.99	29.95	28.69
DN163K0a	N	1.5	6	PnP for Kato P42, PA-1, E8.	34.99	29.95	28.69
DN163K0b	N	1.5	6	PnP for Kato F3 A&B.	34.99	29.95	28.69
DN163K0d	N	1.5	6	PnP for Kato F40PH.	35.99	30.95	29.51
DN163K1B/C	N	1.5	6	Plug'n'play for Kato AC4400, C44-9, SD70MAC, SD40-2	34.99	29.95	28.69
DN163K2	N	1	6	PnP for Kato SD80/90, RS2, RSC2	34.99	29.95	28.69
DN163M0	N	1.5	6	PnP for Micro-Trains N FT.	34.99	29.95	28.69
DH123AT	HO	1.5	2	No solder harness for Athearn	24.99	20.95	20.49
DH123D	HO	1.5	2	For wired inst., 9pin plug harness.	19.99	16.95	15.49
DH123P/PS	HO	1.5	2	Wire harness with DCC plug.	22.99	19.55	18.95
DH163AT	HO	2	6	Digitrax harness for Athearn.	34.99	29.95	29.95
DH163D	HO	2	6	W/Digitrax Easy Connect plug.	29.99	25.95	24.95
DH163IP	HO	1.5	6	Spd stable, silent w/int plug.	29.99	25.95	23.75
DH163P	HO	2	6	Digitrax plug, 5" wire harness.	32.99	27.95	26.95
DH163PS	HO	2	6	Digitrax plug, 1.25" wire harness.	32.99	27.95	26.95
DH165A0	HO	2	6	PnP for Athearn, Atlas, Intermtn.	26.99	22.95	21.95
DH165IP	HO	1	6	PnP, SoundBug socket for stealth locos.	26.99	22.95	21.95
DH165K0	HO	2	6	PnP for HO w/Kato Light Board	27.99	23.95	22.95
DH165L0	HO	2	6	PnP for P2K GP30/9, SD 60, 0-8-0.	26.99	22.95	21.95
DH165Q1	HO	1	6	SoundBug compatible	26.99	22.95	21.95
DG383AR	G	5	8	5A peak, for Aristocrat locos.	59.99	49.95	48.95
DG583AR	O/G	5	8	10A Peak.	64.99	54.95	52.95
DG583S	G	5	8	Speed Stabilized, Silent	66.99	56.95	54.95
DS44	All	6	4	Quad stall motor decoder.	39.99	31.95	29.95
DS51K1	All	?	?	Stationary decoder for Kato turnouts	14.99	11.95	11.50
DSS2	All	6	2	2 Switch Units, Motors/Relays	24.95	21.95	20.95
DS61K1L/R	HO	?	?	Stat dec, t-out machine for Kato Unitrack Turnouts	32.95	26.50	25.75
DS64	All	?	?	Quad stationary decoder	59.99	50.95	49.95
DHAT	HO	1	2	Athearn p&p harness DH120/140	8.95	7.95	7.45
DHWH	HO	1	-	DH140/120 Wire Harness 5 Pack	15.00	14.00	
DHDP	HO	1	-	DH140/120 Dummy Plug 6 Pack	20.00	17.00	16.00
DHWHP	HO	1	-	NMRA Plug installed on DHWH	6.00	5.00	
TL1	All	1	-	Single function transponding decoder.	16.95	14.50	
TF4	All	4	-	Quad function transponding decoder.	20.95	17.75	
SE8C	All	-	-	Signal Dec., 16 inputs.	125.00	99.95	

## SoundFX Decoders

SDN144K1E	Board replacement sound/power for N Kato SD40-2 & similar	69.95	57.36
SFX0416	Sound only decoder, N/narrow scale, 4 functions	59.99	49.95
SFX064D	SoundFX™ and LocoMotion™ Decoder	69.95	54.95
FN04K1	4 function decoder	24.98	21.95 19.95
Combo	SDH104K1 and FN04K1	79.98	69.95 64.95
PR3	Programming of sound decoders and downloading of sounds.	84.95	69.95

## Starter Sets (DCC Power Supply Required)

Item	Details	List	TTE
<b>Zephyr</b>	DCS50 Command Station/Booster/Throttle, incl. PS315 Power Supply, LT1 LocoNet Tester, Manuals	199.99	159.95
<b>Sup Emp Bldr Xtra</b>	DT402 Super Throttle, DB150 Command Station/Booster, UP5 Universal Panel, LT1 LocoNet Tester, Easy to Read Manuals.	355.00	284.95
<b>Super Chief Xtra</b>	DT402 Super Throttle, DCS100 Command Station/Booster, UP5 Universal Panel, LT1 LocoNet Tester, Easy to Read Manuals.	455.00	369.95
<b>Super Chief Xtra 8A</b>	Super Chief Xtra with DCS200 8A Booster	475.00	379.95
<b>Radio S. Emp Bldr X</b>	Duplex Radio Set with DT402D and UR92	575.00	459.95
<b>Radio S. Chief X</b>	Super Chief Xtra Set with Duplex Radio, incl. DT402D and UR92	665.00	529.95
<b>Radio S. Chief X 8A</b>	Radio Super Chief Xtra Set with DCS200 Booster	685.00	539.95

## Throttles (Walk Around Cab Ctrl., also see Wireless)

<b>DT402</b>	LocoNet Full Featured Super Throttle, User-Friendly, Backlit LCD, 28 Functions	185.00	149.95
<b>UT4</b>	Utility Throttle 4 Dig Add. Simple to use, lg spd knob, infrared	79.95	69.95

## Boosters, Command Stations, Power Regulation

Item	Details	List	TTE
<b>DB150</b>	5A DCC Command Station/Booster in combined unit, needs Power Supply	179.99	147.59
<b>DB200+</b>	8A DCC Digital Booster. Must be used w/Cmd Sta., needs Pwr Supply	199.99	163.99
<b>DCS50</b>	"Zephyr" Command Station	179.99	147.59
<b>DCS100</b>	5A Adv. "Chief" Cmdn Station Booster. Read/write, needs Pwr Supply	285.00	233.70
<b>DCS200</b>	8A Adv. "Chief" Cmdn Station Booster. Read/write, needs Pwr Supply	305.00	250.10
<b>PM4-2</b>	Quad Power Management, 4 Blocks, see <b>PowerShield</b> on page 1	79.95	62.95
<b>AR1</b>	Auto-reverser, 1 Section, see <b>PowerShield Rev</b> on page 1	29.99	24.56
<b>PS2012</b>	20A Power Supply for DCC, Scale Selectable, Ammeter, Matching Design.	179.99	144.95

## Wireless - Radio 900 MHz or Infra-Red

Item	Details	List	TTE
<b>DT402R</b>	Like DT402 + Simplex Radio, Works with UR91	235.00	189.95
<b>DT402D</b>	Like DT402 + Duplex Radio, Works with UR92	250.00	199.95
<b>UT4R</b>	Utility Throttle 4 Dig Add. Simple to use, lg spd knob, radio	129.95	99.95
<b>UR92</b>	Digitrax LocoNet Duplex Transceiver Panel (also supports simplex IR)	160.00	129.95
<b>UR91</b>	Radio Receivers (Base unit), plugs into Loco Net	149.99	119.95
<b>UR90</b>	Infra-Red Loco Net receiver	45.95	39.95

## LocoNet

<b>UP5</b>	Five RJ12's & Keep Alive Plug In	16.95	15.95
<b>LNFC</b>	Logic Rail LocoNet Fast Clock	79.00	74.95

## Transponding, Signaling & Block Detection

Item	Details	List	TTE
<b>BD4</b>	4 Block Occupancy Detector	29.95	24.56
<b>BDL168</b>	16 Block Occupancy and zone power	149.99	122.99
<b>RD2</b>	Remote sensing diode board for BDL16	9.99	8.49
<b>RX4</b>	4 blocks transpond receiver for BDL16	49.95	41.95
<b>SMBK</b>	Signal Mast Base Kit, set of 3	14.99	12.95
<b>TSMK</b>	Terminal Strip Mounting Kit, for LED signal masts	14.99	12.95
<b>SMHK</b>	Signal Mounting Hardware Kit, 6 sig. straps, 6 spacers	11.65	9.95
<b>SDCK</b>	Signal Driver Cable Kit	19.99	16.95

## RR-CirKits

**LocoBuffer USB** Connect computer to LocoNet®; USB 2.0 to LocoNet® interface with type B connector; Buffered inputs and outputs allow use with all USB supported OS; 1-1/2" x 3" x 3/4"; Internal LocoNet® terminator. Allows a LocoBuffer-USB to add LocoNet® device compatibility to other systems; compatible with JMRI, RR&Co, and WinLok; power from USB & LocoNet® Rail Sync lines; incl. 3' USB A-B and 14' LocoNet® cables List 69.95 TTE 55.95

# Guaranteed Broadway Ltd / QSI & Tsunami Programming!

Having trouble programming your QSI equipped Broadway Ltd., Atlas or Life-Like locos? The PowerPax DCC Programming Booster makes programming a SNAP! The evolution of hi-tech DCC decoders has outpaced the programming power most DCC Systems can provide! The PowerPax safely boosts programming power and gives you hassle-free programming of BLI, QSI, Soundtraxx and multiple decoder/loco combinations. Recommended for and compatible with Digitrax, Lenz, NCE and all other DCC Systems. See **DCC Specialties, page 4 - List 59.95, Tony's 49.95.**



**Visit [TonysTrains.com](http://TonysTrains.com) or Call (800) 978-3472**

**Sales • Support • Club Demos • Installations • Loco Work • 20 Years of Experience**

Prices or sale items are subject to change without notice. We are currently working on a significant pricing revisions. Updated catalog will be available in about 2 weeks.

**For info or to Order Please Visit [TonysTrains.com](http://TonysTrains.com) or call (800) 978-3472**

# NCE Corporation



## Decoders

Prd #	Scl	A	FN	Comments (all silent, 128ss, fx)	LIST	TTE@1	TTE@4
Atl-O	0	-	-	Used in Atlas Diesels with Dog Bone Board	49.95	42.46	40.96
Bach-DSL	-	-	-	Drop-in decoder for Bachmann DCC-ready Diesels	19.95	16.96	16.36
DecTST	All	-	8	Decoder Tester	24.95	19.96	
N12A0	N	1	2	For Atlas 4 axle.	29.95	25.46	24.56
N12A0e	N	1	2	For Intermountain Tunnel Motor.	29.95	25.46	24.56
N12A1	N	1	2	For Atlas 6 axle.	29.95	25.46	24.56
N12A2	N	1	2	Snap-in decoder for Atlas Classic.	29.95	25.46	24.56
N12K0a	N	1	2	PnP for Kato PA1, E8 Genesis P4Z, white LEDs	29.95	25.46	24.56
N12SR	N/HO	1	2	Silent running.	29.95	25.46	24.56
N12SRP	N/HO	1	2	Silent running w/NMRA plug.	35.95	30.56	29.48
N14IP	N/HO	1.3	4	1.0" x 0.38" x 0.13", NMRA plug.	29.95	25.46	24.56
N14SR	N/HO	1.3	4	Same as N14IP with a wire harness.	29.95	25.46	24.56
N14SRP	N/HO	1.3	4	Same as N14SR with the NMRA harness plug.	35.95	30.56	29.48
NAVO	N	1	2	PnP for Atlas VO-1000	29.95	25.46	24.56
NIMFT-a/b	N	1	2	Silent running PnP for Intermtn. Fts	29.95	25.46	24.56
Z14SR	N/HO	1.3	4	Micro integrated wired decoder.	34.95	29.71	28.66
Z14SRP	N/HO	1.3	4	Same as Z14SR with the NMRA harness plug.	39.95	33.96	32.76
D13SR	HO	1.3	3	1.5"x.65"x.13", generic w/wires	19.95	16.96	16.36
D13Pck/4	HO	1.3	3	4 Pack of D13SR	74.95	59.95	
D13Pck/10	HO	1.3	3	10 Pack of D13SR	174.95	139.95	
D13SRJ	HO	1.3	3	As above w/NMRA/JST 9pin plug.	19.95	16.96	16.36
D13SRJ/4	HO	1.3	3	4-pack.	74.95	59.95	
D13SRP	HO	1.3	3	As above w/NMRA plug.	25.95	22.06	21.28
D14SR	HO	1.3	4	Direct PnP, no wires, for most DCC locos	30.00	25.50	24.60
D15SR	HO	1.3	5	Short generic w/wires, 1.0x.65x.13	29.95	25.46	24.56
D15SRP	HO	1.3	5	As above w/NMRA 2x4 DCC plug	35.95	30.56	29.48
D18SR	HO	1.3	8	For locos with NMRA 8 pin plug, 1.5x.63	29.95	25.95	23.75
D18SR-PSC	HO	1.3	8	Same as D18SR, for Precision Scale ON30 K27.	34.95	29.95	27.50
DASR	HO	1.3	4	PnP for Atlas, Kato.	24.95	21.21	20.46
DAPack	HO	1.3	4	DASR 4 Pack	89.95	71.95	
D408SR	O/G	4	7	Silent Run, 12A peak, 16kHz, EFX, EMF	69.95	59.46	57.36
D808SR	G	8	8	Stall 30 Amps, good for USA Trains locos.	129.95	110.46	106.56
Sig-4	All	NA	-	Signal decoder for up to 4 signal heads	59.95	46.75	
Snap-It	All	NA	2	Turnout Dec For Twin Coil Switch Machines	19.95	16.96	16.36
Switch-Kat	All	NA	2	Turnout Dec For Kato Turnout Motors	24.95	21.21	20.46
Switch-It	All	NA	2	Turnout Dec for Tortoise, 2 outputs	19.95	16.96	16.36
Switch-8	All	NA	-	Stationary decoder for 8 Tortoise switch machines	59.95	47.96	

Mix & Match - Buy 10 decoders and get \$1 OFF 4-piece price except LE 1014JST/WH/MP!

## Starter Sets (DCC Power Supply Required, see Page 2.)

Item	Details	List	TTE
<b>PowerCab</b>	Entry level adv. performance DCC starter set, power supply included!	199.95	155.95
<b>Power Pro</b>	User-friendly operation, integrated PC ready command station and 5A DCC booster, LCD ProCab, 1 UTP, and manual	529.95	412.95
<b>Power ProR</b>	Wireless version of Power Pro	699.95	545.95
<b>Power Pro10</b>	Power Pro w/10A booster	649.95	506.95
<b>Power Pro10R</b>	Wireless version of Power Pro10	849.95	662.95

## Throttles (Walk Around Cab Ctrl., also see Wireless)

<b>Cab-06</b>	Intermediate cab, 4 digit LED, 29 fncts, 6 recalls, accessories, macros.	99.95	79.95
<b>ProCab</b>	Master Cab w/LCD, encoder, has all system functions.	159.95	124.95
<b>ProCab(P)</b>	Same as ProCab but w/potentiometer.	159.95	124.95
<b>CAB04P</b>	Intermediate Walk-around Cab, spd knob, 12 buttons	89.95	71.96
<b>CAB04E</b>	Like CAB04P w/encoder, yard mode and recall	119.95	99.95
<b>P114</b>	PowerCab Power Supply	29.95	23.96
<b>PCP</b>	PowerCab Power Panel	21.95	17.56
<b>GWire ProCab</b>	Compatible with QSI Airwire™ products	239.95	215.95

## Boosters, Command Stations, Power Regulation

<b>CS02</b>	Advanced command station, PC ready, needs Power Supply	239.95	199.95
<b>PB105</b>	Single 5 Amp Power Booster, needs Power Supply	159.95	127.96
<b>PB110</b>	10 Amp Reversing Power Booster, needs Power Supply	269.95	215.96
<b>PowerShield X</b>	See page 1		

## Components & Modules

<b>AIU01</b>	Auxiliary input unit. 14 inputs for block detection.	49.95	39.96
<b>BD20</b>	Block detector module, no load, connects to AIU-01	14.95	12.71
<b>UTP/TTE</b>	Duplex, RJ12, panel mt, plug'n play, Digitrax, NCE, Sys I	19.95	15.96
<b>Mini Panel</b>	Control Panels Without Complicated Wiring	49.95	39.96

## PC Users

<b>NCE USB</b>		49.95	39.96
----------------	--	-------	-------

## Wireless, Duplex 900MHz Components

<b>Cab-06R</b>	Radio intermediate cab, 4 digit LED, 29 fncts, 6 recalls, accessories, macros.	189.95	151.95
<b>ProCab-R</b>	With radio upgrade installed.	239.95	215.95
<b>CAB04P-R</b>	Like CAB04P w/radio upgrade installed	179.95	141.95
<b>CAB04E-R</b>	Like CAB04E w/radio upgrade installed	199.95	169.95
<b>RB02</b>	Wireless base station for NCE and Sys I., 900MHz	159.95	127.96
<b>RPT1</b>	Repeater, requires RB02, add up to 32 repeaters	129.95	101.95
<b>ANTHG</b>	High gain antenna for NCE wireless systems	17.95	15.95

# Lenz



## Decoders

Prod. #	Scl	A	FN	Comments: (All 128ss spec fx)	LIST	TTE
Gold JST	HO	1.8	4	Assymetrical DCC, UPS, RailCom, BEMF	44.95	44.95
Gold/WH/MP	HO	1.8	4	As above with harness (WH), or NMRA plug (MP)	44.95	44.95
Gold/JSTWH	HO	1.8	4	As Above with JST harness	44.95	44.95
Gold Sup'pck	HO			Presoldered combo of Gold WH & Power 1	99.95	99.95
Gold Maxi W	S/O	3	8	Assymetrical DCC, UPS, RailCom (small NMRA plug)	89.95	89.95
Gold Mini W(D)/HO/N	0.5	2		Assymetrical DCC, UPS, RailCom (small NMRA plug)	59.95	59.95
Silver 21	HO/N	1	4	BEMF decoder, plugs to 21 pin socket locos.	37.95	37.95
Silver Mini W	HO/N	0.5	2	BEMF decoder, 11 x 9 x 2.8 mm	44.95	44.95
SilverDirect	HO	1	4	Built in 8 pin plug	39.95	39.95
Silver MP	HO/N	1	4	Hi-res BEMF, NMRA plug, Lenz's thinnest HO decoder	36.95	36.95
StandardMP	HO	1	3	Ultra Thin BEMF	24.95	24.95
LE LP				JST long harness w/ Med Plug	6.00	6.00
LE1835W/MP	HO	1.8	4	BEMF, SUSI sound, wire harness/NMRA plug	44.95	44.95
LF101XF	N/HO	0.4	6	Function decoder.	26.95	26.95
LS100	ALL	N/A	4	Acc. dec w/feedback (4 outputs)	99.95	99.95
LS120	ALL	N/A	2	Acc. for LGB BEMF, weather-proof	81.00	81.00
LS150	ALL	N/A	6	Acc. for 6 independent turnouts.	59.95	59.95
LA010	ALL	N/A	N/A	LS100/110 stall motor output	18.95	18.95

## Starter Sets (DCC Power Supply Required, see Page 2.)

Item	Details	List	TTE
<b>Set-LI</b>	Wireless comp system! LZV100, LI101 F, Loco Ce	399.95	399.95
<b>Set-90</b>	Intermd. Set, LZV1 00, LH90, user manual	299.95	299.95
<b>Set-100</b>	Advanced Set, LZV100, LH100, user manual	399.95	399.95

## Throttles (Walk Around Cab Ctrl., also see Wireless)

<b>LH090</b>	NEW Engineer's Cab with Knob	120.00	120.00
<b>LH100</b>	Programming Cab	240.00	240.00
<b>XPA</b>	Wireless Phone Adapter	74.95	74.95

## Boosters, Command Stations, Power Regulation

<b>LZV100</b>	5A Command Station / Booster, needs Power Supply	224.00	224.00
<b>LV102</b>	5A DCC Booster, Power Station, needs Power Supply	189.95	189.95
<b>PowerShield X</b>	See page 1		

## Assymetrical DCC and RailCom

<b>Power1</b>	Power Storage Module used with Lenz Gold	49.95	49.95
<b>BM-1</b>	Generates and assymetrical DCC signal	13.95	13.95
<b>BM-2</b>	Block stopping module	49.95	49.95
<b>BM-3</b>	Block and signal module	64.95	64.95
<b>LRC120</b>	Railcom Detector	69.95	69.95
<b>LRC100</b>	Railcom Transmitter 5/pk	79.95	79.95

## Components

<b>LB101</b>	Dual Block Occupancy Detector	24.95	24.95
<b>LK100</b>	Reverse Loop Module	67.95	67.95
<b>LR101</b>	Feedback Encoder	59.95	59.95
<b>LA152</b>	Express Net Fascia Panel, 2 DIN & 1 RJ12 with 2' cord	28.50	28.50

## PC Users

<b>LI101F</b>	High Speed Computer Interface, up to 115.2 kb/s, serial (RS232)	129.00	129.00
<b>LI-USB</b>	USB Computer Interface	179.95	179.95

*I just wanted to say 'thank you' for the excellent service you have provided me. Timely responses, more than friendly service, and immediate availability make your business one of the best DCC shops around, if not simply the best. My support and future product requirements will continue to be sent your way. Thanks again.*  
- Louis "George" G., California

# Tony's Guarantees Your Satisfaction

Sales • Support • Club Demos • Installations • Loco Work • 20 Years of Experience

Pieces or sale items are subject to change without notice. We are currently working on a significant pricing revisions. Updated catalog will be available in about 2 weeks.

## DCC Specialties



Item	Details	List	TTE
MF615	The first DCC power supply specifically designed for DCC! Recommended for Digitrax, Lenz, NCE, and other DCC systems. Outperforms all others in Price, Power, Safety, and Features! Exclusive grounded, 16AWG, fail-safe three-wire input/output Illuminated power on/off switch Circuit breaker protection on the output 6 A, 15 VAC Output, Input 120 VAC Sealed unit - impact resistant enclosure	52.95	44.95

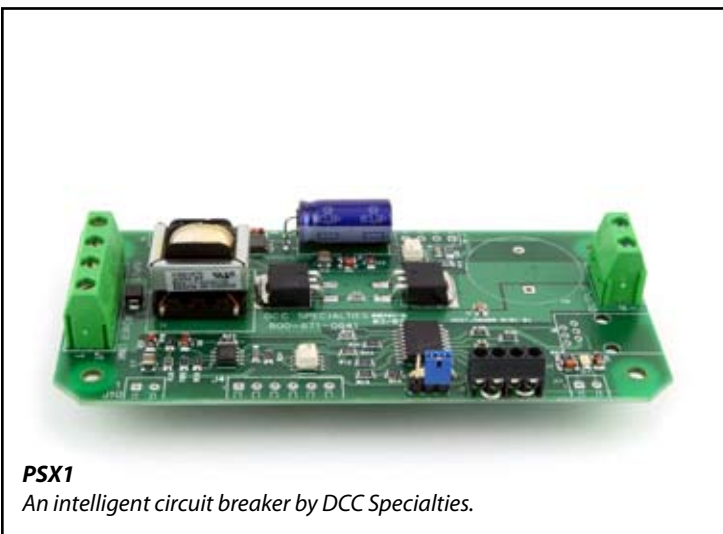


**MF615**  
Designed specifically for DCC

OnGuard! OG-AR	DCC Auto Reverser/Circuit Breaker, 4 A, solid state, works w/all sys.	39.95	31.95
Hare NG I.	Revolutionary stat. decoder, plugs directly to Tortoise! See pg. 6.	29.95	24.95
Hare NG II.	Incl. Feedback and Switch Position. See pg. 6.	34.95	29.95
Wabbit	Dual output stationary decoder, based on Hare NG. See pg. 6.	29.95	23.95
Wabbit-FB	Wabbit with feedback reporting capability. See pg. 6.	39.95	31.95

### PowerShield X Intelligent Circuit Breakers & Auto Reversers

PSX1	PowerShield X Intelligent Circuit Breaker, 1 Block, 0-20A	41.95	35.95
PSX2	PowerShield X Intelligent Circuit Breaker, 2 Blocks, 0-20A	74.56	63.90
PSX3	PowerShield X Intelligent Circuit Breaker, 3 Blocks, 0-20A	109.44	94.35
PSX4	PowerShield X Intelligent Circuit Breaker, 4 Blocks, 0-20A	143.60	123.80
PSX-AR	Power Shield Intelligent Circuit Breaker/Reverser	61.95	49.95
PSX-AC	AC Solid State Power District Circuit Breaker	from 39.95	34.95
PSX-ARFB	DCC Solid State AR-CB with Stall Stat Dec and Network Feedback	67.95	57.95
PSX-ARSC	DCC Solid State AR-CB w/ Snap Stat Dec, Automates Rev. Loop T'outs	73.95	62.95
PSX-ARSCFB	DCC So.St. AR-CB w/ Snap Stat Dec, Net. FB, Automates Rev. Lp T'outs	79.95	68.95
Block Watcher	CPU based block detector, analyzes current feed to the rails	31.95	27.95



**PSX1**  
An intelligent circuit breaker by DCC Specialties.

## ESU - LokSound

<b>ECoS DCC System</b>	Dual-Throttle console, 4 A, Power Supply Included, Touch-Screen control for Speed, Direction, Accessories and Programming, Operates DCC, Marklin, Motorola, and Selectrix decoders, Can integrate other DCC Systems for operation with other DCC Cabs, Ethernet connection	749.00	614.95
<b>LokSound 3.5 DCC Sound Decoder (Downloadable)</b>	HO/N, 1.1 A continuous, 4 functions, 4 8bit sound channels with Back EMF and Super-Silent motor drive. Size: 1.22" long, 0.61" wide, 0.26" tall (35mm x 15.5mm x 6.5mm). The HO/N LokSound is supplied with a 23 mm (0.91") speaker and enclosure. Over 100 different locomotive sounds, see the web site.	167.00	136.95
<b>LokSound Programmer Set</b>	Use programmer to download and update sound files. Incl. Programmer, power pack, serial cable, USB adapter, software CD ROM, user manual.	189.00	155.95
<b>LokPilot non-sound decoder</b>		29.99	24.95
<b>LokSound Micro DCC sound decoder for N and TT scale</b>		167.00	136.95

### LokSound Speakers

<b>LokSound Speaker 50440</b>	Rectangular 16 x 25 mm (about 5/8 x 1 inch), 100 ohm	9.50	7.95
<b>LokSound Speaker 50441</b>	Round 0.79" (20 mm), 100 Ohm, sound chamber	9.50	7.95
<b>LokSound Speaker 50442</b>	Round 0.91" (23 mm), 100 Ohm, sound chamber	9.50	7.95
<b>LokSound Speaker 50443</b>	Round 1.10" (28 mm), 100 Ohm, sound chamber	9.50	7.95
<b>LokSound Speaker 50444</b>	Round 1.57" (40 mm), 100 Ohm, sound chamber	9.50	7.95
<b>LokSound Speaker 50447</b>	2 speakers 0.63" (16mm), oval, sound chamber, 100 ohm	9.50	7.95
<b>LokSound Speaker 50448</b>	Rectangular 0.79" x 1.57" (20 x 40 mm), 100 ohm	9.50	7.95
<b>LokSound Speaker 50449</b>	1.57" (40 mm), 32 Ohm, round, for LokSoundXL	12.50	10.95
<b>LokSound Speaker 50445</b>	2.24" (57 mm), 16 Ohm, round, for LokSoundXL	12.50	10.95
<b>LokSound Speaker 50446</b>	3.07" (78 mm), 32 Ohm, round, for LokSoundXL	12.50	10.95

## Cab Bus Modules

UTP/TTE	Duplex, RJ12, Panel Mt., PnP, Digitrax, NCE, SystemOne, also use as 4-way connector	14.50
MPPx	Assembled Cables - MPP5, 5' 3.00; MPP10, 10' 3.50; MPP15, 15' 4.25; MPP20, 20' 5.00 ...etc...	14.95
MCC6PP	10-ft 6 Conductor Coil Cord for Digitrax with phone plugs	14.95
MCC	Coiled Cord 6 Cond, 10 feet	10.00
MFF	FEM to FEM Connector 6 Cond.	3.95
MSP2	2 way Splitter Plug to 2 FEM 6 Cond.	4.95
MPG	Crimp On Plug, RJ12	0.30
MCP	Crimp Tool 4/6 Cond.	17.95

## DCC Power Supplies

All DCC systems require a basic supply that converts 120V AC to the lower voltage required by DCC. Tony's offers preassembled, inexpensive, fully insulated power supplies, designed specifically for DCC, with AC grounded wall plugs, input and output circuit breakers, ready to run the DCC system of your choice.

Item	Details	List	TTE
<b>MF615</b>	16 V AC, 6A for 5A DCC systems: Digitrax 5A Super Chief, Super Empire Builder, DB150, Lenz Set90/100, LV101/102, NCE PowerPro SA, PB105 see DCC Specialties, page 4	52.95	44.95
<b>XFR4</b>	12 V AC, 4A for Lenz N scale DCC use: Lenz LV101/102, LZV101	39.95	29.95
<b>XFR12</b>	18 V AC, 12A for NCE 10A DCC system and PB110	109.95	79.95
<b>TTE-XDTX</b>	0.3A 12V DC Power Supply for Digitrax UP3, UR90, UR91, PM4.	19.95	14.95
<b>TTE-XNCE</b>	12 V DC, 1A; auxilliary power for NCE/Sys I, DCC throttle networks.	19.95	14.95

## New Rail Models

<b>NRM16</b>	Universal Throttle Pocket by New Rail Models	11.95	9.59
<b>NRM16-3</b>	Universal Throttle Pocket by New Rail Models, 3-pack	29.95	23.59
<b>NRM16-10</b>	Universal Throttle Pocket by New Rail Models, 10-pack	79.95	63.59
<b>NRM18</b>	Blue Point Turnout Controller	12.95	10.95
<b>NRM18-10</b>	Blue Point Turnout Controller, 10-pack	99.95	79.95
<b>NRM40021</b>	Folding Drink and Cup Holder	12.95	10.95
<b>NRM40021-5</b>	Folding Drink and Cup Holder, 5-pack	49.95	39.95

## Pricom Design

<b>Dream Player</b>	Dream Player without SD Card	79.95	74.95
<b>Dream Switcher</b>	4 output speaker driver for the Dream Player	29.00	21.95
<b>DCC Pocket Tester</b>	DCC Pocket Tester, 24" Alligator Clips, Serial Cable, manual	179.00	149.95

**For info or to Order Please Visit [TonysTrains.com](http://TonysTrains.com) or call (800) 978-3472**

## Team Digital

<b>DBD 22</b>	DCC block detector. Senses current in two isolated sections of track.	21.95	18.66
<b>BlocD8</b>	Eight block occupancy detector for DCC.	98.95	84.11
<b>SIC 24</b>	Signal and indicator controller.	54.95	46.71
<b>SMD 82</b>	Stationary decoder. Eight output DCC accessory decoder.	89.95	76.46
<b>SRC 16</b>	Switch and route controller. Control switch machines via LocoNet, 8 outputs.	51.95	44.16

## TCS



Item	Description	List	TTE	4x	10x
tcsa4x	A4X	30.95	26.31	25.38	24.76
tcsa6x	TCS A6X	35.95	30.56	29.48	28.76
tcsald4	TCS ALD4	39.95	33.96	32.76	31.96
tcsamd1	TCS AMD1	34.95	29.95	27.95	26.95
tcsamd4	TCS AMD4	39.95	33.96	32.76	31.96
tcsasd4	TCS ASD4	39.95	33.96	32.76	31.96
tcsn	TCS CN	39.95	33.96	32.76	31.96
tcsnpg	TCS CN-GP	39.95	33.96	32.76	31.96
tcsdp2x	TCS DP2X	27.95	23.76	22.92	22.36
tcsdp2xuk	TCS DP2X-UK	29.95	25.46	24.56	23.96
tcsfl2	FL-2	20.92	17.78	17.15	16.74
tcsfl4	FL4	21.66	18.41	17.76	17.33
tcsimd4	TCS IMD4	39.95	33.96	32.76	31.96
tcsk1d4	K1D4	39.95	33.96	32.76	31.96
tcsk3d3	K3D3	39.95	33.96	32.76	31.96
tcslh	LH	6.99	5.94	5.73	5.59
tcsm1	M1	34.95	29.71	28.66	27.96
tcsm1p	M1P-MH	39.45	33.53	32.35	31.56
tcsm2	Use M3	32.95	27.50	25.95	24.95
tcsm3pmh	M3P-MH	39.60	33.66	32.47	31.68
tcsm4	M4	41.80	35.53	34.28	33.44
tcsm4pmh	M4P-MH	46.80	39.78	38.38	37.44
tcsmc1h	MC-1H	6.99	5.94	5.73	5.59
tcsmc2	MC2	29.95	25.46	24.56	23.96
tcsmc2pmh	MC2P-MH	34.95	29.71	28.66	27.96
tcsmc4	MC4	34.95	29.71	28.66	27.96
tcsmc4p-mh	MC4P-MH	39.95	33.96	32.76	31.96
tcsmc6	MC6	36.95	31.41	30.30	29.56
tcsmc6p-mh	MC6P-MH	41.95	35.66	34.40	33.56
tcsmc51	MC-51 Harness	6.99	5.94	5.73	5.59
tcsmcsh	MC-SH	6.99	5.94	5.73	5.59
tcsmcwh	MC-WH	2.00	1.70	1.64	1.60
tcsmp15n	TCS MP-15N for Atlas MP-15	39.95	33.96	32.76	31.96
tcsnamd4	N AMD4	39.95	34.36	31.56	
tcsnasd4	N ASD4	39.95	34.36	31.56	
tcsnclassic	USE TCS CN	38.95	32.95	29.95	
tcs1	T1	24.99	21.24	20.49	19.99
tcs1p	T1P-MH	29.99	25.49	24.59	23.99
tcs4x	T4X	27.95	23.76	22.92	22.36
tcs4xpmh	T4XP-MH	32.95	28.01	27.02	26.36
tcs6x	T6X	30.95	26.31	25.38	24.76
tcs6xpmh	T6XP-MH	35.95	30.56	29.48	28.76
tcsvo1000	TCS N VO-1000 Decoder	39.95	33.96	32.76	31.96
tcsvr1.5	TCS 1.5 volt Regulator Board	11.99	10.19	9.83	9.59
tcsw5x	W5X	34.95	29.95	27.95	26.95
tcsw5xpmh	W5XP-MH	39.95	33.95	32.95	31.95
tcsz2	Z2	39.95	33.96	32.76	31.96

## TDP & Associates

*Trainspeed is a scale speedometer. It works with any scale and on all control systems. A single channel version (Trainspeed1) monitors one point on your railroad, a 4 channel version (Trainspeed4) monitors 4 separate locations or tracks. Displays the scale speed in mph or km/h. Requires a 12V 500mA power supply.*

- Works for all scales, designed for control panel or facade mounting
- Use it to speed match MU'ed locomotives
- Uses ambient light to detect the train (it will not work in the dark)
- Bright LED display; Powered by the aux 12V from your power pack or by an optional wall transformer
- Sensors can be mounted up to 30' from display unit

Item	Details	List	TTE
Trainspeed 1	Single Channel	59.95	47.95
Trainspeed 4	Four Channel	99.95	79.95
Extension Cable	10 ft. Extension Cable	8.00	7.50
XFRDXTX	12V 500mA Power Supply		14.95



Visit [TonysTrains.com](http://TonysTrains.com)  
For items we couldn't fit in this catalog.

### Need for Scale Speed

*It used to be that you just ran a train at a speed that looked good to you. Now there are a number reasons to know the scale speed of a locomotive or train. With sound equipped locomotives running at a correct speed means the engine sounds are more realistic. If you use DCC, knowing the speed can help to set the top voltage (CV-5) in the decoder. When consisting, a speedometer can be used to match the speed of the locomotives in the consist. It is also good to know just what is the speed of a locomotive.*

## Peco

### More PECO in stock, please call!

P-CAT	Peco Catalogue 9950	7.65	5.74
-------	---------------------	------	------

### Code 83 HO

Item	List	TTE
Cd 83 #5 RH	31.50	23.63
Cd 83 #5 LH	31.50	23.63
Cd 83 #6 RH	33.60	25.20
Cd 83 #6 LH	33.60	25.20
Cd 83 #6 Xing	34.65	25.99
Cd 83 #7 RH Curved	40.95	30.71
Cd 83 #7 LH Curved	40.95	30.71
Cd 83 #8 RH	37.80	28.35
Cd 83 #8 LH	37.80	28.35

### Code 100 HO

SL-86 RH Curved	27.30	20.48
SL-87 LH Curved	27.30	20.48
SL-88 RH Large	26.25	19.69
SL-89 LH Large	26.25	19.69
SL-90 Dbl. Slip	73.50	55.13
SL-91 RH Small	22.05	16.54
SL-92 LH Small	22.05	16.54
SL-93 24* Xing	19.95	14.96
SL-94 12* Xing	22.05	16.54
SL-95 RH Med.	23.10	17.33
SL-96 LH Med.	23.10	17.33
SL-97 Small Y	22.05	16.54
SL-98 Large Y	25.20	18.90
SL-99 3-Way Med.	63.00	47.25

### 36" Flexible Track

SL-100B	Wood Tie Box of 25	162.75	122.06
SL-102B	Concrete Box of 25	162.75	122.06

### PECO HO Accessories

SL-10	Code 100 N.S. Joiners	3.99	2.99
SL-11	Code 100 Insulated Joiners	3.99	2.99
SL-110	Code 75 N.S. Joiners	3.99	3.00
SL-111	Code 75 Insulated Joiners	3.99	3.00
SL-112	Transit. Joiners (8) 75-100	6.51	4.88
PL-10E	Switch Machine	11.55	8.66
PL-12	Adaptor Base	4.20	3.15
PL-13	Accessory Switch	5.78	4.33
PL-15	Micro Switch	14.70	11.03

## Tony's Guarantees Your Satisfaction

Sales • Support • Club Demos • Installations • Loco Work • 20 Years of Experience

Pieces or sale items are subject to change without notice. We are currently working on a significant pricing revisions. Updated catalog will be available in about 2 weeks.

# MRC



## Systems and Power Supplies

mrc0001025	Syncro-Sound Box	79.95	53.57
mrc0001050	MRC Black Box Controller	75.98	50.91
mrc0001200	2.0 A DC/Blackbox Power-Pack	127.98	85.75
mrc0001201	6A DC/Blackbox Power-Pack	279.98	187.59
mrc0001203	Wireless Handheld for Tech 6	89.98	60.29
mrc0001301	AC Power Pack 80 Watts (04/07)	135.98	91.11
mrc0001408	Prodigy Express	209.98	119.95
mrc0001410	MRC Prod Adv Wireless (04/07)	619.98	340.99
mrc0001411	MRC Prodigy Adv. Wireless Walk	199.98	124.99
mrc0001412	MRC Prod Adv Wireless Upgrade	319.98	175.99
mrc0001414	MRC Prodigy Advanced 2	419.98	214.95
mrc0001415	Advanced 2 Throttle	119.98	65.99
mrc0001501	Prod Adv. Ext. Plate	39.98	26.79
mrc0001502	Prod Adv. Ext. Plate w/PS	54.98	36.84
mrc0001505	Booster 3.5 Amp	174.98	99.95
mrc0001510	Wireless PC for Wireless PA2	74.98	67.48
mrc0001515	Wireless PC for PA2 (Non R)	99.98	89.98
mrc0001516	Cable PC Interface all PA2's	56.98	51.28
mrc0001521	8A Power Booster	199.98	139.95

mrc0001823	MRC HO Steam 24 Chuffs	99.98	66.99
mrc0001825	MRC HO ATH SD45 Drop In	89.98	60.29
mrc0001827	MRC N Kato PA1 Drop In	99.98	66.99
mrc0001828	MRC N Kato SD50/60 Drop In	99.98	66.99
mrc0001829	MRC HO Atlas RS3/GP38 Drop In	99.98	66.99
mrc0001832	MRC N ATH FP45 Drop In	99.98	66.99
mrc0001833	MRC N IMR FP7 Drop In	99.98	66.99
mrc0001862	MRC HO Snd Only Diesel	47.98	32.15
mrc0001900	MRC HO Universal Baldwin	102.98	69.00
mrc0001902	MRC HO Lifelike E8/9	102.98	69.00
mrc0001950	MRC N Universal ALCO PA	102.98	69.00
mrc0001951	MRC N Kato EMD NW2	102.98	69.00
mrc0001952	MRC N Kato GG1	102.98	69.00
mrc0001953	MRC N Universal Diesel	102.98	69.00
mrc00222	Trainpower 6200	179.98	120.59
mrc00552	MRC AA552	75.98	50.91
mrc00950	Tech III DC Power Supply	152.98	102.50

## Decoder Installations

We have 15 years experience in installing decoders/receivers/sound systems in all shapes and sizes of locomotives from "N" scale to "G" scale. We also perform complete loco maintenance, repower/re-gear and repair services. We guarantee all of our work for 60 days. Please use the following table to determine installation costs.

1. Special loco/decoder/sound installation combos available - see Insert.
2. Factory supplied lights used where possible, if not, directional lights will be used
3. Add \$10 min. for dir lighting and each function output. Add \$3/pin for plugs.
4. All sound installations include appropriate speaker furnished at no charge.
5. Smoke units installed starting at \$49.00.
6. Speakers, lightbulbs and smoke units are not guaranteed.
7. For brass models add \$39 for decoder installation and \$59 for sound (minimum).  
» Lower prices for plug n'play type decoder installations - CALL TTE.  
Note : Prices may vary for specific installations.
8. See table below for installation costs, decoder costs are not included.

### Installation Labor Cost

Locomotive	Installation Labor If Dec Furnished by TTE	Installation Labor If Dec Furnished by Customer	\$\$ Added for Specific Models	DCC Steam Sound	DCC Diesel Sound
HO Diesel Switchers	44.00	49.00	25.00 NW2	NA	NA
HO Diesels	44.00	49.00	TBD	NA	99.00 min.
Diesels LLSW9	49.00	54.00	15.00 Frame Mod	NA	NA
N Diesels	49.00	54.00	15.00 Frame Mod	NA	NA
HO Steam Loco/Tender	44.00	49.00	20.00 Sealed Units	99.00	NA
"N" Tender	59.00	64.00	20.00 Kato Mike	119.00	NA
HO Dummies	44.00	51.00	TBD	99.00	99.00 HO
S, O, G	TBD	TBD	TBD	TBD	TBD



**CMX O Clean Machine**  
Details on Page 1

## Sound Decoders

mrc0001633	MRC Sound Decoder EMD Switcher	119.98	80.39
mrc0001636	MRC N Diesel PnP Atlas	99.98	66.99
mrc0001637	MRC N Steam	99.98	66.99
mrc0001644	MRC N Scale Sound Decoder	99.98	66.99
mrc0001645	MRC N Scale Sound Decoder	99.98	66.99
mrc0001648	N FP7 Sound decoder (08/07)	99.98	66.99
mrc0001658	MRC N Diesel PnP Kato F	99.98	66.99
mrc0001660	MRC N Diesel Sn PnP LL Cliner	99.98	66.99
mrc0001662	MRC HO, Snd Only, Diesel,	45.98	30.81
mrc0001663	Brilliance HO Atlas S2/4 Sound	99.98	66.99
mrc0001665	MRC Snd Only Steam Decoder	45.98	30.81
mrc0001666	MRC HO, Snd Only Diesel Decod	45.98	30.81
mrc0001800	Universal HO Alco/SD60/SD70/F	99.98	66.99
mrc0001801	Drop In HO Alco/SD60/SD70/F	99.98	66.99
mrc0001802	HO Kato SD40-2 Drop In	99.98	66.99
mrc0001803	HO Proto 2000 Alco PA/PB	99.98	66.99
mrc0001804	HO Athearn MP15 Drop In	99.98	66.99
mrc0001805	Universal HO GE U23	99.98	66.99
mrc0001806	N Kato SD40-2 Drop In	99.98	66.99
mrc0001808	N Kato SD80 Drop In	99.98	66.99
mrc0001810	N Kato F40PH Drop In	99.98	66.99
mrc0001811	N Atlas GE U23 Drop In	99.98	66.99
mrc0001812	N Atlas Alco/SD60/SD70/F	99.98	66.99
mrc0001817	G Diesel Sound Dec.	99.98	66.99
mrc0001818	G/O Diesel Sound Dec.	99.98	66.99
mrc0001819	G/O Steam Sound Dec.	99.98	66.99
mrc0001820	MRC HO Ath RS3	99.98	66.99
mrc0001821	MRC HO ATH GEN F Drop In	99.98	66.99
mrc0001822	MRC S Diesel Snd	99.98	66.99

## DCC Accessories

### DCC Accessories

PSX1	PowerShield X Intelligent Circuit Breaker, 1 Block, 0-20A	41.95	35.95
PSX2	PowerShield X Intelligent Circuit Breaker, 2 Blocks, 0-20A	74.56	63.90
PSX3	PowerShield X Intelligent Circuit Breaker, 3 Blocks, 0-20A	109.44	94.35
PSX4	PowerShield X Intelligent Circuit Breaker, 4 Blocks, 0-20A	143.60	123.80
PSX-AR	Power Shield Intelligent Circuit Breaker/Reverser	61.95	49.95
Stik Tak	Adhesive Material, Non Hardening, 1 Blister Pack		5.00
Kapton Tape	Super Adhesive Tape. Thin, Heat Resistant, Insulating		12.75
TTX-HGANT	High Gain 2" 1/4 Wave Antenna for NCE Radio Cabs	16.95	15.95

### Wires, Connectors and Shrink Tubing

30 Ga Ultra Flex	Miniature Wire, Stranded, Black, 10 ft, Easily strips.	5.95	5.45
28 Ga Flat	Flat, 2 cond. Stranded, Miniature Wire, black. 25 ft. Easily strips.	6.95	6.45
TTE-CONN	Miniature Gold Connectors, Excellent Engagement; Easy Solder, Ideal For Ho Loco Interconnects, For HO MUs, 1A Per Pin, Priced Per Pin	0.60	0.50
NMRA M/F	NMRA Compatible Connector Set, 2x4 Pins, Male and Female Included	6.00	5.00
Shrink Tubing	Semi-Flexible, All Sizes to 1" Diameter, Priced Per Foot		1.25

### Miniature Lamps and LEDs (Miniaturics)

18-001-10	1.5V 1.2mm Diameter, 15mA, 10-pack	11.95	11.11
18-012-10	12V 2.4mm Diameter, 50 mA, 10-pack	11.95	11.11
18-014-10	14V 2.4mm Diameter, 30 mA, 10-pack	12.75	11.86
18-016-10	16V 2.4mm Diameter, 30 mA, 10-pack	12.75	11.86
18-712-10	12V 1.7mm Diameter, 30 mA, 10-pack	15.95	14.83
12-310-10	3mm Dia Yeloglo, 10-pack	17.95	16.69
12-510-10	5mm Dia Yeloglo, 10-pack	17.95	16.69

# Soundtraxx



## Tsunami (DC and DCC Compatible)

All Tsunamis and QSI sound decoders require the PowerPax Programming Track Booster to program on the programming track.

**Caution: The Micro-Tsunamis may overheat and shut-down when used in HO applications.**

### Steam - Micro

Item	Details	List	TTE
826001	The Light Steam version	139.95	114.76
826002	The Medium Steam version	139.95	114.76
826003	The Heavy Steam version	139.95	114.76
826004	The Denver & Rio Grande K-Class version	139.95	114.76
826005	The Southern Pacific Cab Forward 4-8-8-2 version	139.95	114.76
826016	The Denver & Rio Grande C-Class version	139.95	114.76
826020	The Light Logging version	139.95	114.76

### Steam - DSD

826101	The Light Steam version (P.N. 826101)	119.95	98.36
826102	The Medium Steam version (P.N.8261 02)	119.95	98.36
826103	The Heavy Steam version (P.N.8261 03)	119.95	98.36
826104	The Denver & Rio Grande K-Class version (P.N.8261 04)	119.95	98.36
826105	The Southern Pacific Cab Forward 4-8-8-2 version (P.N.8261 05)	119.95	98.36
826116	The Denver & Rio Grande C-Class version (P.N.8261 16)	119.95	98.36
826120	The Light Logging version (P.N.8261 20)	119.95	98.36

### Diesel - Micro

827001	Tsunami Diesel EMD 1st Gen	139.95	114.76
827004	Tsunami Diesel ALCo 244	139.95	114.76
827010	Tsunami Galloping Goose	139.95	114.76

### Diesel - DSD

827101	Tsunami Diesel EMD 1st Gen	119.00	97.58
827102	Tsunami Diesel EMD 2nd Gen	119.00	97.58
827103	Tsunami Diesel EMD 3rd Gen	119.00	97.58
827104	Tsunami Diesel ALCo 244	119.00	97.58
827105	Tsunami Diesel ALCo 251	119.00	97.58
827106	Tsunami Diesel ALCo 215 16 Cyl.	119.00	97.58
827107	Tsunami Diesel GE	119.00	97.58
827108	Tsunami Diesel Fairbanks Morse	119.00	97.58
827109	Tsunami Diesel EMD 2nd Gen Non-Turbo	119.00	97.58

### Diesel-AT

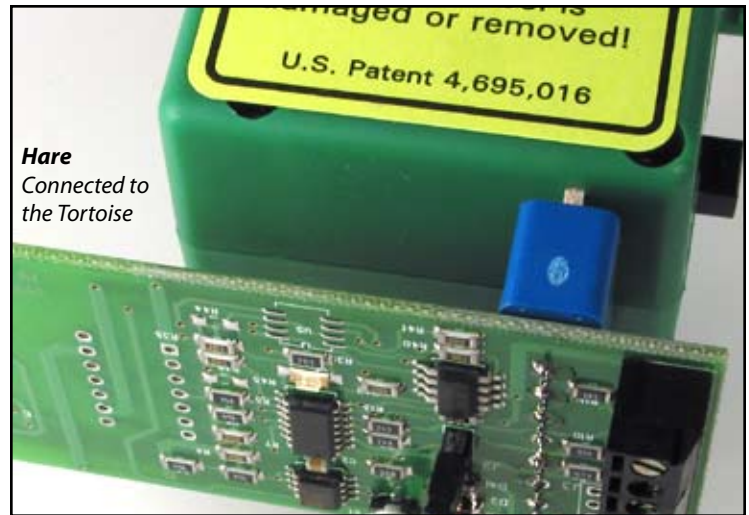
828040	Tsunami Diesel Atlas Style EMD 1st Gen	99.95	81.96
828041	Tsunami Diesel Atlas Style EMD 2nd Gen	99.95	81.96
828042	Tsunami Diesel Atlas Style EMD 3rd Gen	99.95	81.96
828043	Tsunami Diesel Atlas Style ALCo 244	99.95	81.96
828044	Tsunami Diesel Atlas Style ALCo 251	99.95	81.96
828045	Tsunami Diesel Atlas Style ALCo 251 V-1 6	99.95	81.96
828046	Tsunami Diesel Atlas Style GE	99.95	81.96
828047	Tsunami Diesel Atlas Style Fairbanks Morse	99.95	81.96
828048	Tsunami Diesel Atlas Style EMD 2nd Gen Non-Turbo	99.95	81.96

### Diesel-GN

828050	Tsunami Diesel for Athearn Genesis Style EMD 567	99.95	81.96
828051	Tsunami Diesel for Athearn Genesis Style EMD 645	99.95	81.96
828052	Tsunami Diesel for Athearn Genesis Style EMD 710	99.95	81.96
828056	Tsunami Diesel for Athearn Genesis Style GE FDL-16	99.95	81.96



**Speakers on the Next Page!**



**Hare**  
Connected to  
the Tortoise

## Circuitron Tortoise

Item	Details	List	TTE
CIR 800-6000	Tortoise™ Switch Machine	19.95	15.96
CIR 800-6006	Tortoise™ Switch Machine, 6-pack	115.00	87.05
CIR 800-6012	Tortoise™ Switch Machine, 12-pack	222.00	156.05
CIR 800-6100	Tortoise™ Mount	10.95	9.86
TTE-TORT-CONN	Card Edge Connector	3.50	2.95

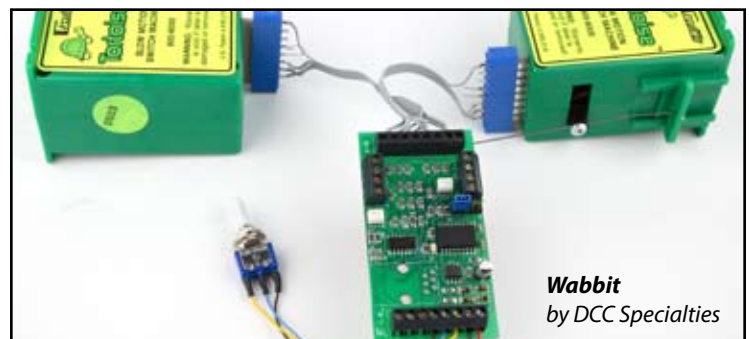
## Hare/Wabbit

**Unconditionally Guaranteed for Two Years!**

### Hare

Plugs Directly on to Tortoise™. All Power Routing is now controlled by a user selectable dip switch. Version II provides Feedback and Switch Position reporting for LocoNet, ExpressNet and CabBus. Version II has all the updated features of Version I.

Item	Details	List	TTE
<b>Hare™ NG I.</b>	Plugs directly to Tortoise™ Switch Machine	29.95	24.95
<b>Tortoise/Hare NG I. Combos</b>	1-pack		39.95
	6-pack		229.95
	12-pack		439.95
<b>Hare™ NG II.</b>	Plugs directly to Tortoise™ Switch Machine	34.95	29.95
<b>Tortoise/Hare NG II. Combos</b>	1-pack		41.95
	6-pack		249.95
	12-pack		479.95



**Wabbit**  
by DCC Specialties

### Wabbit

Dual output DCC stationary decoder based on Hare. Requires Tort-Conn connectors. Wabbit-FB features feedback reporting to LocoNet, ExpressNet or CabBus.

Item	Details	List	TTE
<b>Wabbit™</b>	Dual output DCC stationary decoder	31.95	27.95
<b>Wabbit™-FB</b>	Dual output DCC stat. decoder w. feedback reporting	41.95	35.95
<b>Tortoise/Wabbit Combos</b>	2-pack (includes connectors)		49.95
	6-pack (includes connectors)		149.95
	12-pack (includes connectors)		299.95
<b>Tortoise/Wabbit-FB Combos</b>	2-pack (includes connectors)		59.95
	6-pack (includes connectors)		169.95
	12-pack (includes connectors)		339.95

**Tony's Guarantees Your Satisfaction**

Sales • Support • Club Demos • Installations • Loco Work • 20 Years of Experience

Pieces or sale items are subject to change without notice. We are currently working on a significant pricing revisions. Updated catalog will be available in about 2 weeks.

## QSI Solutions

**Unconditionally guaranteed for 2 years!**

### HO/S Products

Item	List	TTE
Revolution Snd Atlas Format	119.95	99.95
Revolution Snd Universal Format	119.95	99.95

### G Scale Products

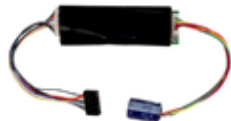
Aristocraft PnP Sound Dec	169.95	144.95
Quantum Engineer Booster 40 A	189.95	154.95
Cable Aristo Speaker	5.95	4.95
Cable Magnum Speaker	3.95	3.25
Cable Steam Cam	3.95	3.25
Reed Switch for G Scale	6.95	5.95
GWire Receiver	134.95	114.71
Magnum G/O Sound Decoder	184.95	159.95

### Related Products

QSI Motor Circuit Simulator	19.95	16.95
QSI Programmer/Downloader	104.99	89.24
SuperCap Kit for DC (Analog) Use	19.95	16.95
Quantum Engineer DC (Analog) Use	59.95	50.96
Chip Extractor for Upgrade Chip	9.95	7.95



**QSI Revolution A**



**QSI Revolution U**



**Aristo**  
PnP Sound Decoder



**Magnum**  
G/O Sound Decoder

## Speakers & Enclosures

### TDS Series Round: Low Profile

Description	List	1x	4x	10x
0.50" Dia Speaker (13mm)	9.95	7.95	6.95	5.95
0.62" Dia Speaker (16mm)	12.95	9.95	8.95	7.95
0.75" Dia Speaker (20mm)	9.95	7.95	6.95	5.95
1.00" Dia Speaker (26mm)	9.95	7.95	6.95	5.95
1.10" Dia Speaker (28mm)	9.95	7.95	6.95	5.95
1.20" Dia Speaker (30mm)	9.95	7.95	6.95	5.95
1.25" Dia Speaker (32mm) QSI	9.95	7.95	6.95	5.95

### TDS Series Oval: Medium Profile

Description	List	1x	4x	10x
Micro Oval Speaker (New)	12.95	9.95	8.95	7.95
Mini Oval Speaker	12.95	9.95	8.95	7.95
Small Oval Speaker	9.95	7.95	6.95	5.95
Med Oval Speaker	9.95	7.95	6.95	5.95
Large Oval Speaker	12.95	9.95	8.95	7.95

### High Base Series: Higher Profile

Description	List	1x	4x	10x
High Bass 1.06"D x 0.56"H Speaker	9.95	7.95	6.95	5.95
High Bass 1.10"D x 0.44"H Speaker	9.95	7.95	6.95	5.95
High Bass 1.22"D x 0.62"H Speaker	9.95	7.95	6.95	5.95
High Bass 1.57"D x 0.57"H Speaker	12.95	9.95	8.95	7.95
High Bass 1.77"D x 0.81"H Speaker	12.95	9.95	8.95	7.95
High Bass 2.07"D x 0.94"H Speaker	12.95	9.95	8.95	7.95
High Perf 2.25"D x 1.1"H Speaker	12.95	9.95	8.95	7.95
High Perf 2.50"D x 1.2"H Speaker	12.95	9.95	8.95	7.95
High Perf 3.00"D x 1.7"H Speaker	14.95	11.95	10.95	9.95
High Perf 3.50"D x 1.7"H Speaker	14.95	11.95	10.95	9.95
High Perf 4.00"D x 1.9"H Speaker	14.95	11.95	10.95	9.95

### Enclosures: Engineering Plastic

Description	List	1x	4x	10x
TDS Enclosure 0.50" (Includes Spacer)	8.95	4.95	4.50	
TDS Enclosure 0.62" (Includes Spacer)	8.95	4.95	4.50	
TDS Enclosure 0.75" (Includes Spacer)	8.95	4.95	4.50	
TDS Enclosure 1.00" (Includes Spacer)	8.95	4.95	4.50	
TDS Enclosure 1.10" (Includes Spacer)	8.95	4.95	4.50	
TDS Enclosure 1.20" (Includes Spacer)	8.95	4.95	4.50	
TDS Enclosure 1.25" (Includes Spacer)	11.95	7.95	6.95	
TDS Enclosure Micro Oval	11.95	6.95	6.50	
TDS Enclosure Mini Oval	11.95	6.95	6.50	
TDS Enclosure Small Oval	11.95	6.95	6.50	
TDS Enclosure Med Oval	11.95	6.95	6.50	
TDS Enclosure Large Oval	11.95	6.95	6.50	
TDS Enclosure HB 1.06 Dia	11.95	6.95	6.50	
TDS Enclosure HB 1.22	11.95	6.95	6.50	
TDS Enclosure HB 1.10 Sq	11.95	6.95	6.50	

**Tony's Offers the Best Speakers and Enclosures Specifically Selected and Designed for Model Railroading!**



**Visit [TonysTrains.com](http://TonysTrains.com) or Call (800) 978-3472**

Sales • Support • Club Demos • Installations • Loco Work • 20 Years of Experience

Prices or sale items are subject to change without notice. We are currently working on a significant pricing revisions. Updated catalog will be available in about 2 weeks.